

Pipe diameter tolerance and roundness tolerance to DIN EN 10296-1
Lengths and angles – DIN ISO 2768-1 – Tolerance class V
*1=powder-coated, 2=galvanized, 3=chromium-nickel steel

Pipe	Ø 80			Ø 100			Ø 120		
Articel-no.	1108*270	1108*270	1108*270	1110*270	1110*270	1110*270	1112*270	1112*270	1112*270
Ø d	77	77	76	100	100	99	120	120	119
Ø D	92	92	91	115	115	114	135	135	134
A	40			50			50		
B	120			120			150		
S	1	1,5	2	1	1,5	2	1	1,5	2
Weight in kg	0,70	0,80	0,90	0,90	1,00	1,20	1,40	1,50	1,70
Pipe	Ø 140			Ø 150			Ø 160		
Articel-no.	1114*270	1114*270	1114*270	1115*270	1115*270	1115*270	1116*270	1116*270	1116*270
Ø d	136	136	135	150	150	149	159	159	159
Ø D	151	151	150	165	165	164	174	174	174
A	70			75			75		
B	165			175			180		
S	1	1,5	2	1	1,5	2	1	1,5	2
Weight in kg	1,90	2,00	2,20	2,00	2,20	2,50	2,20	2,50	2,70
Pipe	Ø 175			Ø 200			Ø 224		
Articel-no.	1117*270	1117*270	1117*270	1120*270	1120*270	1120*270	1122*270	1122*270	1122*270
Ø d	175	175	174	200	200	199	220	220	219
Ø D	190	190	189	215	215	214	235	235	234
A	80			90			90		
B	210			240			275		
S	1	1,5	2	1	1,5	2	1	1,5	2
Weight in kg	3,00	3,10	3,30	3,80	4,00	4,20	4,80	5,00	5,20

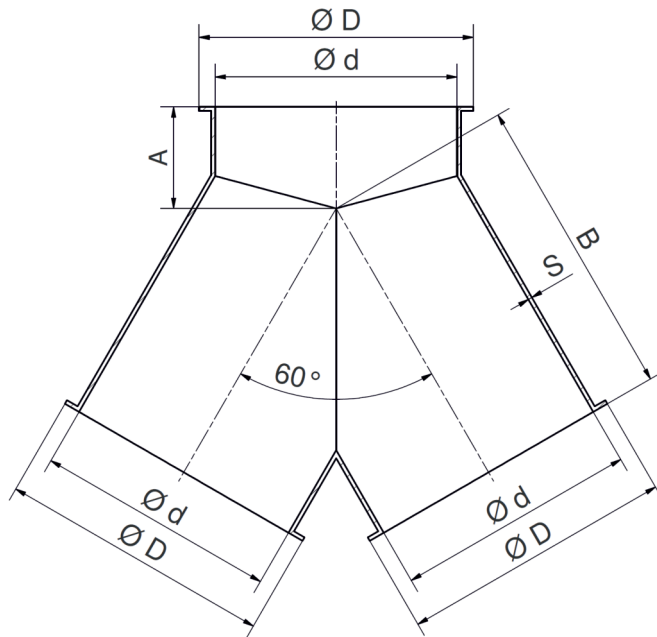
Denomination:

Symmetrical forks 60°

Date: 07/24

Datasheet-no. 1/1

Rev. 2



Pipe diameter tolerance and roundness tolerance to DIN EN 10296-1
Lengths and angles – DIN ISO 2768-1 – Tolerance class V
*1=powder-coated, 2=galvanized, 3=chromium-nickel steel

Pipe	Ø 250			Ø 280			Ø 300		
Articel-no.	1125*270	1125*270	1125*270	1128*270	1128*270	1128*270	1130*270	1130*270	1130*270
Ø d	250	250	249	277	277	276	300	300	299
Ø D	265	265	264	292	292	291	315	315	314
A	100			100			120		
B	300			320			360		
S	1	1,5	2	1	1,5	2	1	1,5	2
Weight in kg	5,90	6,20	6,50	7,40	7,60	7,90	8,60	8,90	9,10
Pipe	Ø 315			Ø 350			Ø 400		
Articel-no.	1131*270	1131*270	1131*270	1135*270	1135*270	1135*270	1140*270	1140*270	1140*270
Ø d	312	312	311	350	350	349	399	399	398
Ø D	327	327	326	365	365	364	414	414	413
A	150			70			70		
B	350			300			350		
S	1	1,5	2	1	1,5	2	1	1,5	2
Weight in kg	9,00	9,30	9,60	9,20	9,50	9,80	9,60	9,90	10,20
Pipe	Ø 450			Ø 500					
Articel-no.	1145*270	1145*270	1145*270	1150*270	1150*270	1150*270			
Ø d	449	449	498	499	499	498			
Ø D	464	464	463	514	514	513			
A	80			80					
B	400			450					
S	1	1,5	2	1	1,5	2			
Weight in kg	10,10	10,50	10,80	10,50	11,00	11,80			

Denomination:

Symmetrical forks 60°

Date: 07/24

Datasheet-no. 1/1

Rev. 2