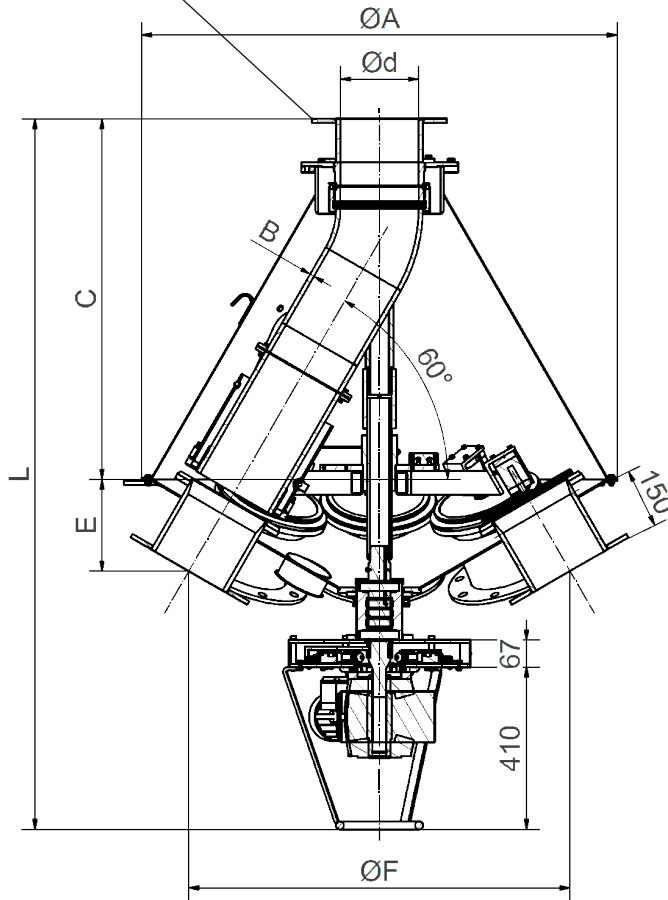


Inlets and outlets with welded flanges according to DIN 2576, PN 10, 10mm strong, Hole pattern axis free to the inspection flap



**Swivel pipe switch is not allowed to be switched in product stream**

**Area of application**

For pneumatic conveyance of bulk goods.  
 Max. overpressure in tube system at DN <150 ca 3 bar  
 at DN =200 ca. 2 bar  
 Installation only in closed rooms, open air installation in weatherproof design on demand.



**Installation position**

any, however specify when ordering (with horizontal installation counterweight is required)!  
 Without given installation position delivery takes place in drawn installation.  
 Product guidance from the inlet through the rotary tube to the desired outlet. Opposite conveying direction has to be specified when ordering.

**Technical data**

Electric drive with gear motor, sealing on the rotary tube outlet by pneum. sliding tube pressure on the outlet nozzle.  
 Pneumatically operated cover for the remaining outlets (dustproof).  
 Control by mechanical limit switches. Solenoid valve and pressure switch, led in the terminal box on terminals. Control must be provided by the customer.  
 Motor voltage: 380-420 V Y, 50Hz  
 Control voltage: 24 V DC  
 Compressed air connection: 6 bar  
 Degree of protection: IP 65

**Paint**  
 primed RAL 7032

**Additional equipment**

- Proximity limit switch instead of a mech. limit switch
- Position and pressure control of the rotary tube outlet position electropneumatic or by means of a proximity limit switch (Dust protection zone 11).

Number of outlets  
 \* 04, 06, 08, 10, 12, 14

Pipe	Articel-no.	Ø d	Ø A	B	C	E	Ø F	L
Ø 80	53*0860	80	1200	5,0	998	193	1096	1917
Ø 100	53*1060	99	1200	8,0	970	203	1064	1889
Ø 120	53*1260	118	1200	8,0	946	211	1038	1865
Ø 150	53*1560	148	1200	10,0	939	216	1020	1858
Ø 200	53*2060	197	1200	11,0	910	231	968	1829
	53102060		1600		1256		1368	2291

**VA**

Rohr	Artikel-Nr.	Ø d	Ø A	B	C	E	Ø F	L
Ø 80	63*0860	80	1200	4,5	998	193	1096	1917
Ø 100	63*1060	99	1200	7,1	970	203	1064	1889
Ø 120	63*1260	118	1200	9,5	946	211	1038	1865
Ø 150	63*1560	148	1200	8,5	939	216	1020	1858
Ø 200	63*2060	197	1200	11,0	910	231	968	1829
	63102060		1600		1256		1368	2291

Denomination:

**Swivel pipe switches**

Date: 05/20

Datasheet-no. 10/7

Rev. 0