

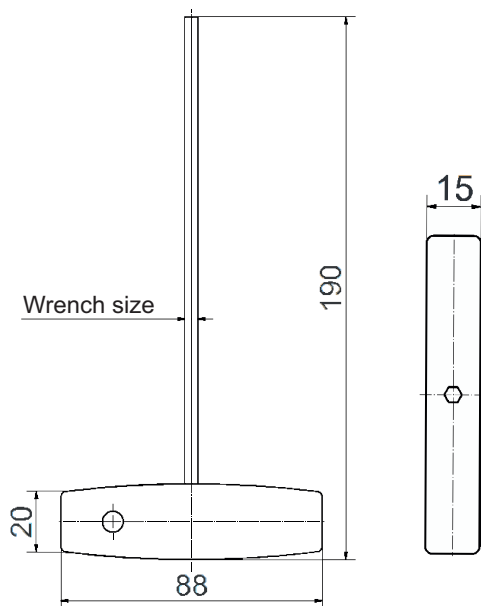
Feature:
 temperature resistant up to 100°C



All versions galvanized

pull-rings for 1mm also for connecting 1mm with 1.5mm thick pipe parts

Pipe	Ø 80	Ø 100	Ø 120	Ø 150	Ø 175	Ø 200
Articel-no.	11082372	11102372	11122372	11152372	11172372	11202372
Ø A	97	119	139	169	194	219
Ø B	80	102	122	152	177	202
Weight in kg	0,04	0,05	0,06	0,07	0,08	0,09



Allen key SW6 for assembly QUICK CONNECT-pull-ring, pull-ring without sealing compound and pull-ring with sealing compound

	SW 5 for 1-piece pull-rings	SW 6 for 2-part pull-rings
Articel-no.	10002361	10002362
Denomination:	1-part pull-ring with sealant/ Allen key	
Date:		
Datasheet-no.	2/5	Rev. 0