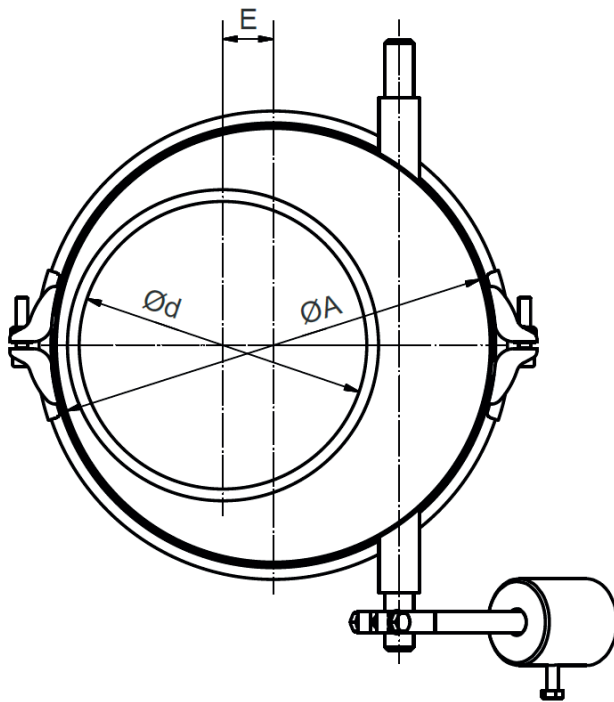


- 1 Lever arm adjustable through 360°
- 2 Weight adjustable on the lever arm



Pipe diameter tolerance and roundness tolerance to DIN EN 10296-1  
 Lengths and angles – DIN ISO 2768-1  
 – Tolerance class V

- Inner seal made of NR-SBR from -40°C to +70°C
- Flanged sealing ring made of NBR from -20°C to +100 °C
- FOOD GRADE version and other seals on request

\* 1=powder-coated, 3=stainless steel

Pipe	Ø 80	Ø 100	Ø 120	Ø 150	Ø 175	Ø 200	Ø 250	Ø 300	Ø
Articel-no.	1208*575	1210*575	1212*575	1215*575	1217*575	1220*575	1225*575	1230*575	-
Ø d	76	99	119	149	174	199	249	399	-
Ø D	150	175	200	250	300	300	350	450	-
A	95	115	130	135	150	185	225	260	-
B	90	90	100	120	140	140	165	195	-
C	20	22,5	25	35	47,5	35	35	55	-
E	210	230	255	280	315	350	415	480	-
S	2	2	2	2	2	2	2	2	-
weight in kg	4,30	4,90	6,25	8,30	10,50	11,60	15,10	22,70	-

Denomination:

**Non-return valves**

Date: 04/20

Datasheet-no.  
**8/13**

Rev.  
**0**