

Water outlet revolving

Pipe diameter tolerance and roundness tolerance to DIN EN 10296-1
Lengths and angles – DIN ISO 2768-1 – Tolerance class V

*2=galvanised, 3=stainless steel

Pipe	Ø 80	Ø 100	Ø 120	Ø 140	Ø 150	Ø 160	Ø 175	Ø 200
Articel-no.	1208*805	1210*805	1212*805	1214*805	1215*805	1216*805	1217*805	1220*805
Ø d	76	99	119	135	149	159	174	199
Ø D	92	115	135	151	165	175	190	215
Ø A	230	230	260	310	310	313	360	460
B	110	110	125	130	130	130	160	200
C	188	152	169	222	200	195	237	322
L	360	325	355	415	390	395	460	620
S	2	2	2	2	2	2	2	2
Weight in kg	3,2	3,4	5,2	6,4	6,2	7,6	9,5	12,5
Pipe	Ø 224	Ø 250	Ø 280	Ø 300	Ø 315	Ø	Ø	Ø
Articel-no.	1222*805	1225*805	1228*805	1230*805	1231*805	-	-	-
Ø d	219	249	276	299	311	-	-	-
Ø D	235	265	292	315	327	-	-	-
Ø A	515	515	570	575	590	-	-	-
B	235	235	245	255	255	-	-	-
C	368	322	330	335	335	-	-	-
L	695	650	655	680	690	-	-	-
S	2	2	2	2	2	-	-	-
Weight in kg	16,5	15,5	17,50	18,5	19,00	-	-	-

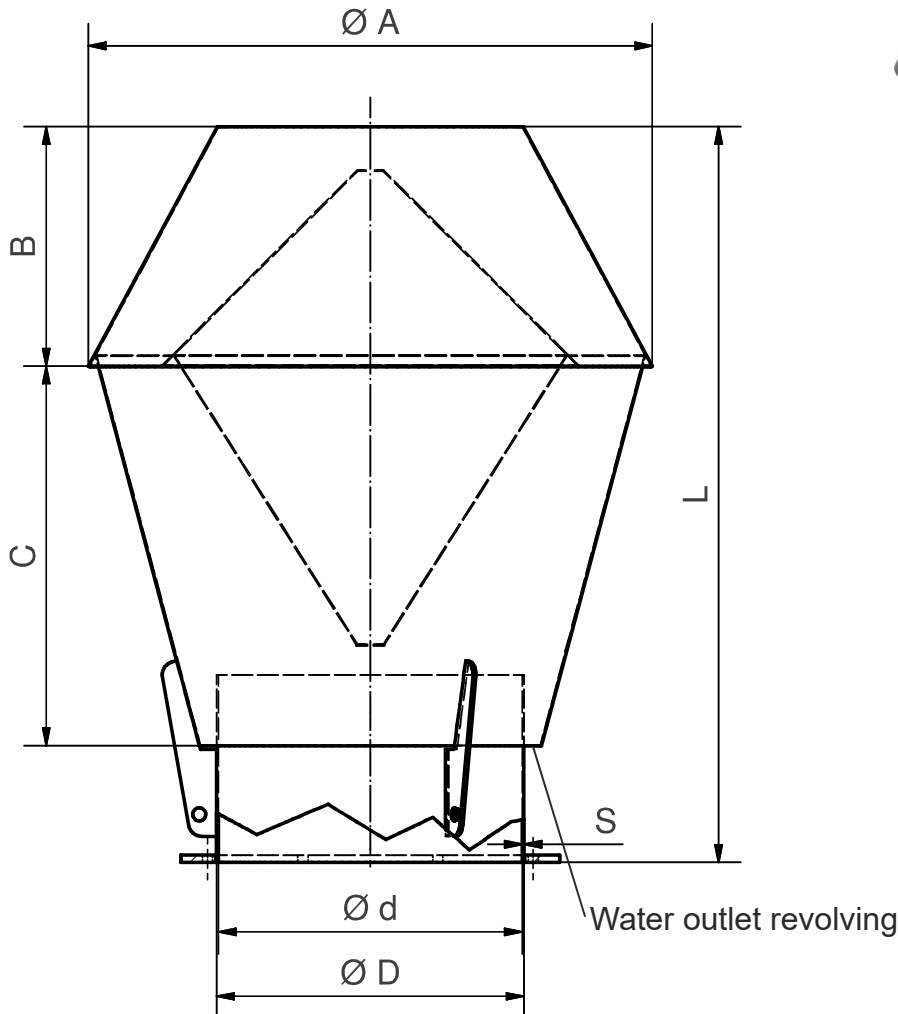
Denomination:

Jet caps
Ø80-Ø315

Date: 06/24

Datasheet-no. 6/23

Rev. 0



Pipe diameter tolerance and roundness tolerance to DIN EN 10296-1
Lengths and angles – DIN ISO 2768-1 – Tolerance class V
Diameters from 350 mm with welded-on flange acc. to DIN 24154, T2, but without counter-flange.
*2=galvanised, 3=stainless steel

Pipe	Ø 350	Ø 400	Ø 450	Ø 500	Ø 560	Ø 630	Ø 710	Ø 800
Articel-no.	1235*805	1240*805	1245*805	1250*805	1256*805	1263*805	1271*805	1280*805
Ø d	349	398	448	498	558	628	707	797
Ø D	353	402	452	502	562	632	711	801
Ø A	645	715	820	870	990	1140	1290	1440
B	275	295	320	320	372	442	502	520
C	448	480	588	588	703	776	901	1020
L	865	915	1040	1040	1208	1434	1627	1790
S	2	2	2	2	2	2	2	2
Weight in kg	25,50	29,50	49,50	53,50	71,00	95	118	142

Denomination:

Jet caps
Ø350-Ø800

Date: 04/20

Datasheet-no. 6/23

Rev. 0