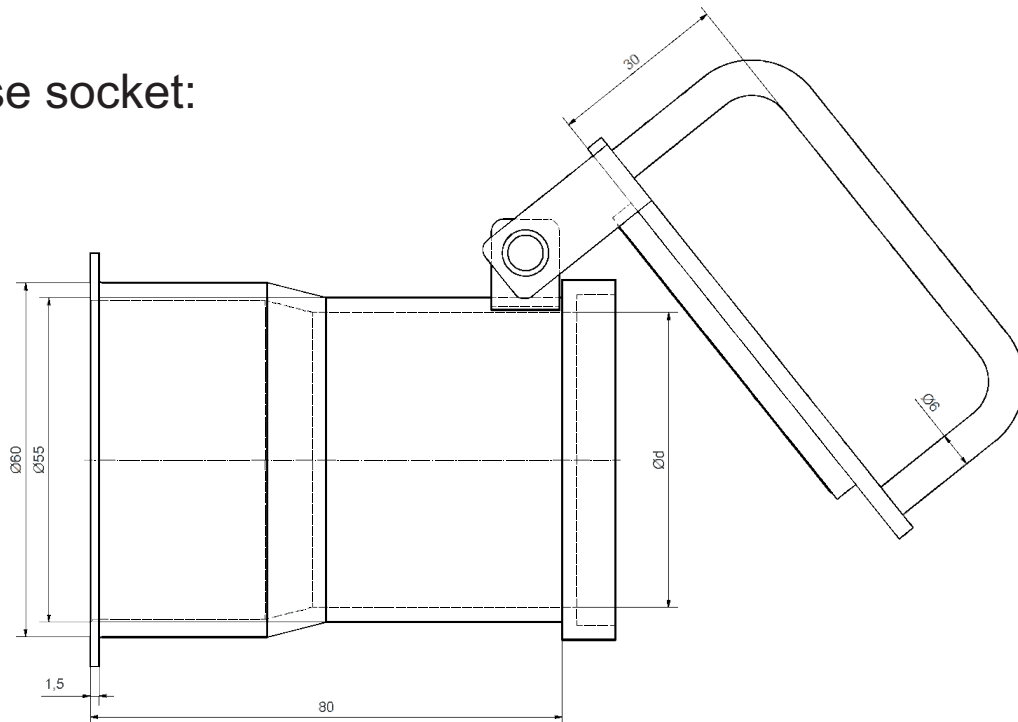
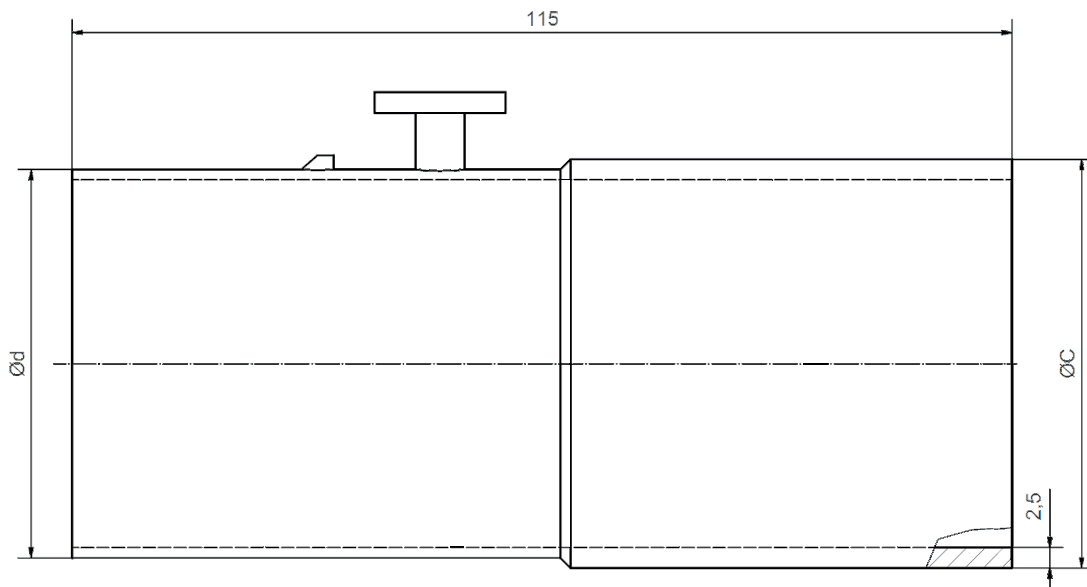


Hose socket:



Hose plugs:



Pipe diameter tolerance and roundness tolerance to DIN EN 10296-1
 Lengths and angles – DIN ISO 2768-1 – Tolerance class V
 * 1=powder-coated, 2=galvanised, 3=stainless steel

Hose socket	Ø 60	Ø 80	Hose connector	Ø 45	Ø 50	Ø 80
Article-No.	1006*860	10082860	Article-No.	100628651	1006*8650	100828650
Ø d	60	80	Ø d	60	60	80
			Ø C	45	50	80

Denomination:

Hose socket/ hose plugs

Date: 04/21

Datasheet-no. 6/18;19

Rev. 0