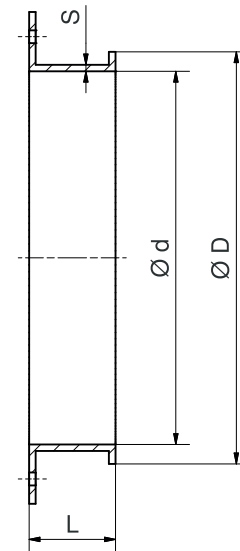
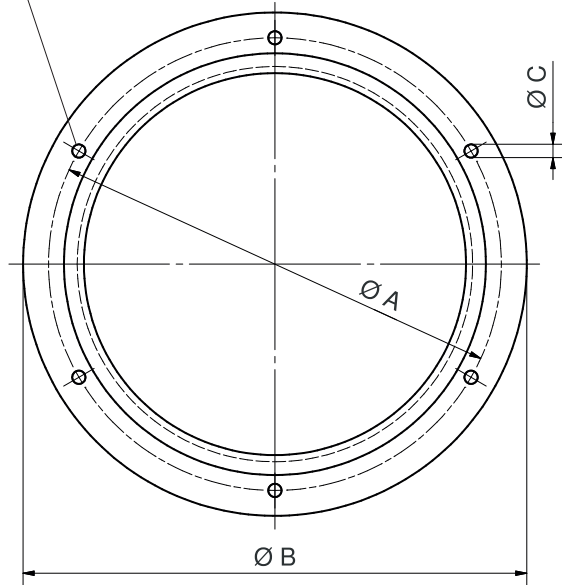




E = No. of holes



Pipe diameter tolerance and roundness tolerance to DIN EN 10296-1
Lengths and angles – DIN ISO 2768-1 – Tolerance class V
The article number refers to powder-coated version

Pipe	Ø 60		Ø 80		Ø 100		Ø 120		Ø 140	
Article-no.	-	-	11081431	-	11101431	-	11121431	13121431	-	-
Ø d	-	-	77	-	100	-	120	118	-	-
Ø D	-	-	92	-	115	-	135	136	-	-
Ø A	-		108		130		150		-	
Ø B	-		123		150		170		-	
Ø C	-		6		6		6		-	
E	-		6		6		6		-	
L	-		35		28		28		-	
S	-	-	1,5	-	1,5	-	1,5	3	-	-
weight in kg	-	-	0,27	-	0,23	-	0,28	0,56	-	-
Pipe	Ø 150		Ø 175		Ø 200		Ø 224		Ø 250	
Article-no.	11151431	13151431	11171431	13171431	11201431	13201431	-	-	11251431	13251431
Ø d	150	148	175	173	200	198	-	-	250	248
Ø D	165	166	190	191	215	216	-	-	265	266
Ø A	180		205		230		-		280	
Ø B	202		228		250		-		300	
Ø C	6		6		6		-		6	
E	6		6		6		-		6	
L	36		40		37		-		48	
S	1,5	3	1,5	3	1,5	3	-	-	1,5	3
weight in kg	0,40	0,79	0,49	0,97	0,52	1,00	-	-	0,75	1,48

Denomination:

Connecting flange

Date: 05/14

Datasheet-no. 6/3

Rev. 0