

Compensator, Material: EPDM black
 Electrostatically conductive
 Temperature resistance: -30°C up to +100°C

Pipe diameter tolerance and roundness tolerance to DIN EN 10296-1
 Lengths and angles – DIN ISO 2768-1 – Tolerance class V
 The article number refers to powder-coated version.

Pipe	Ø 60	Ø 80	Ø 100	Ø 120	Ø 140	Ø 150	Ø 175	Ø 200
Articel-no.	-	11081707	12101707	12121707	12141707	12151707	12171707	12201707
Ø d	-	78	99	119	135	149	174	199
Ø D	-	92	115	135	151	165	190	215
S	-	1	2	2	2	2	2	2
Weight in kg	-	0,52	1,00	1,16	1,30	1,42	1,65	1,88
Pipe	Ø 224	Ø 250	Ø 280	Ø 300	Ø	Ø	Ø	Ø
Articel-no.	12221707	12251707	-	12301707	-	-	-	-
Ø d	219	249	-	299	-	-	-	-
Ø D	235	265	-	315	-	-	-	-
S	2	2	-	2	-	-	-	-
Weight in kg	2,06	2,34	-	2,80	-	-	-	-

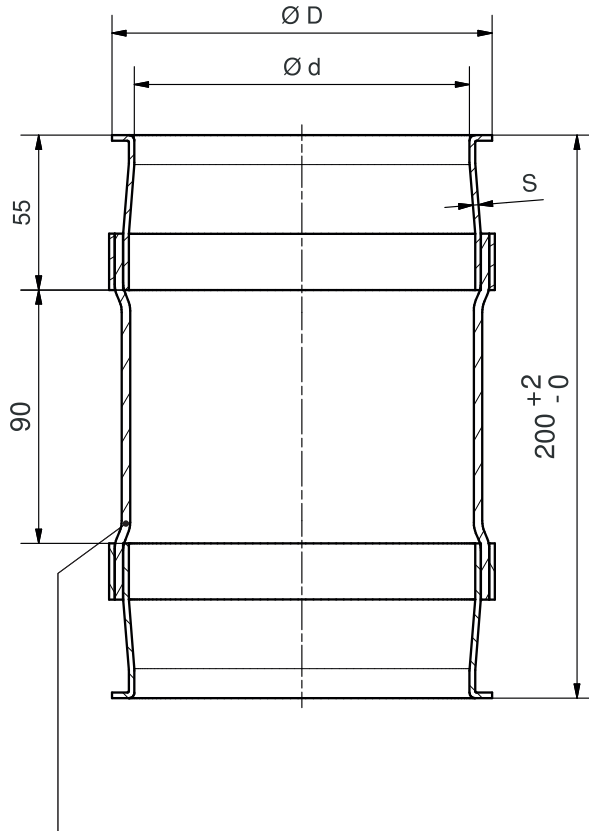
Denomination:

Compensator

Date: 06/14

Datasheet-no. 6/2

Rev. 0



Compensator, Material: PU transparent/milk-white
 1 mm thick, Food grade standard, in accordance with 1935/2004 (EC) and FDA
 Temperature resistance: -20°C up to +90°C

Pipe diameter tolerance and roundness tolerance to DIN EN 10296-1
 Lengths and angles – DIN ISO 2768-1 – Tolerance class V
 The article number refers to version stainless steel quality DIN 1.4301.

Pipe	Ø 60	Ø 80	Ø 100	Ø 120	Ø 140	Ø 150	Ø 175	Ø 200
Articel-no.	-	11083171	12103171	12123171	12143171	12153171	12173171	12203171
Ø d	-	78	99	119	135	149	174	199
Ø D	-	92	115	135	151	165	190	215
S	-	1	2	2	2	2	2	2
Weight in kg	-	0,52	1,00	1,16	1,30	1,42	1,65	1,88
Pipe	Ø 224	Ø 250	Ø 280	Ø 300	Ø	Ø	Ø	Ø
Articel-no.	12223171	12253171	-	12303171	-	-	-	-
Ø d	219	249	-	299	-	-	-	-
Ø D	235	265	-	315	-	-	-	-
S	2	2	-	2	-	-	-	-
Weight in kg	2,06	2,34	-	2,80	-	-	-	-

Denomination:

Compensator

Date: 06/14

Datasheet-no. 6/2

Rev. 0