

Pipe diameter tolerance and roundness tolerance to DIN EN 10296-1
Lengths and angles – DIN ISO 2768-1 – Tolerance class V

ø 80mm R=6,25D
ø 100mm - 200mm R=5D
ø 250mm, 300mm R=4D

* 1=powder-coated, 3=stainless steel

Pipe	15°	30°	45°	60°	90°						
ø 80	Article-no.	1208*3511	-	1208*3531	-	1208*3541	-	1208*3561	-	1208*3591	-
	Ø d	76	-	76	-	76	-	76	-	76	-
	R	500	-	500	-	500	-	500	-	500	-
	S	2	-	2	-	2	-	2	-	2	-
	Weight in kg	0,70	-	1,20	-	1,70	-	2,20	-	3,10	-
ø 100	Article-no.	1210*3511	-	1210*3531	-	1210*3541	-	1210*3561	-	1210*3591	-
	Ø d	99	-	99	-	99	-	99	-	99	-
	R	500	-	500	-	500	-	500	-	500	-
	Weight in kg	0,85	-	1,50	-	2,20	-	2,90	-	3,80	-
ø 120	Article-no.	1212*3511	-	1212*3531	-	1212*3541	-	1212*3561	-	1212*3591	-
	Ø d	119	-	119	-	119	-	119	-	119	-
	R	600	-	600	-	600	-	600	-	600	-
	Weight in kg	1,60	-	2,15	-	3,10	-	4,10	-	5,30	-
ø 150	Article-no.	131513511	121533511	131513531	121533531	131513541	121533541	131513561	121533561	131513591	121533591
	Ø d	149		149		149		149		149	
	R	750		750		750		750		750	
	S	3	2	3	2	3	2	3	2	3	2
	Weight in kg	2,90	1,70	4,60	3,25	6,70	4,75	7,80	6,30	10,80	8,00

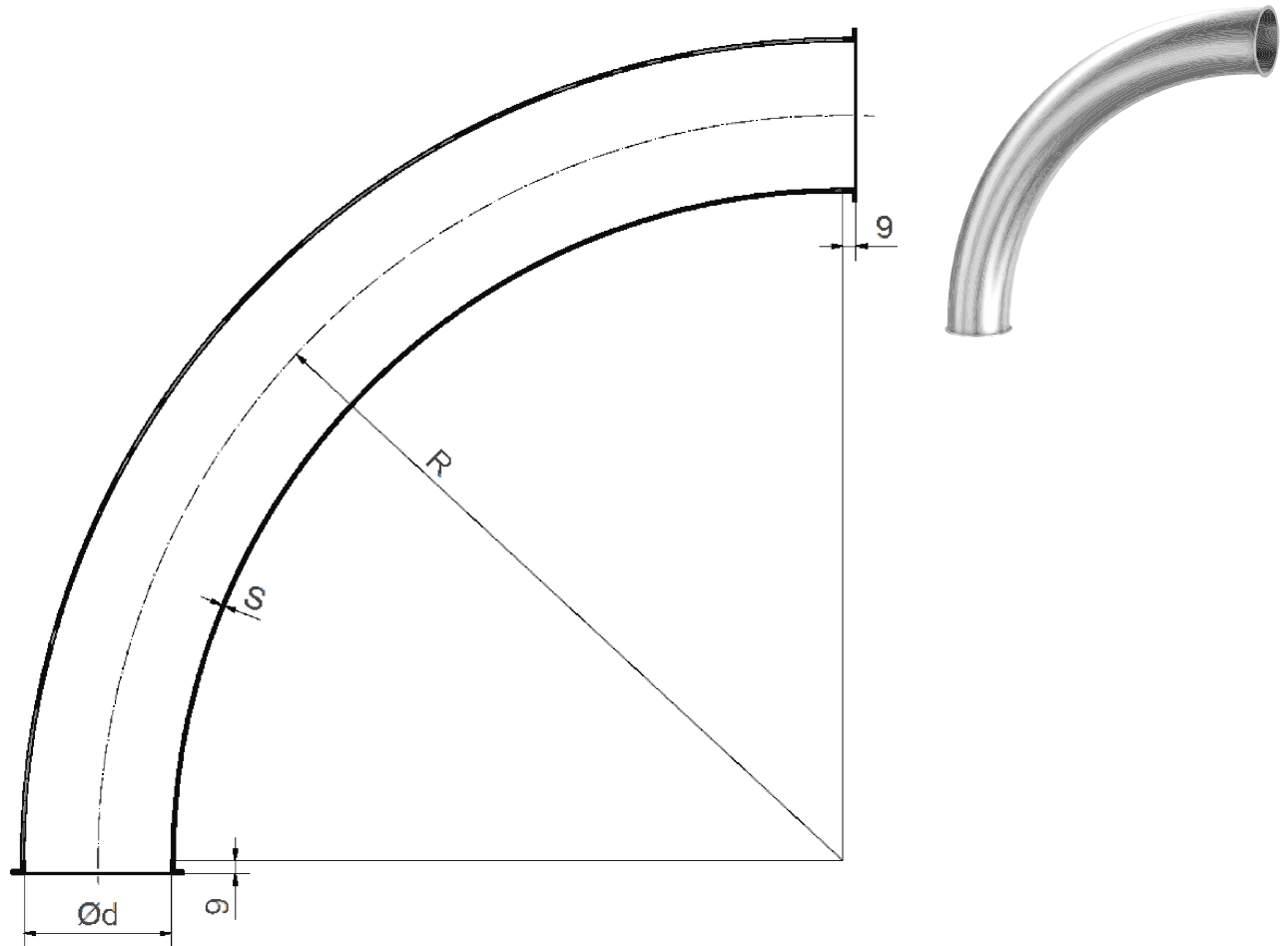
Denomination:

Bends long radius

Date: 03/20

Datasheet-no. 4/4

Rev. 0



Pipe diameter tolerance and roundness tolerance to DIN EN 10296-1
Lengths and angles – DIN ISO 2768-1 – Tolerance class V

* 1=powder-coated, 3=stainless steel

ø 80mm R=6,25D
ø 100mm - 200mm R=5D
ø 250mm, 300mm R=4D

Pipe		15°		30°		45°		60°		90°	
Ø 175	Article-no.	131713511	121733511	131713531	121733531	131713541	121733541	131713561	121733561	131713591	121733591
	Ø d	175		175		175		175		175	
	R	875		875		875		875		875	
	S	3	2	3	2	3	2	3	2	3	2
	Weight in kg	3,80	2,40	6,90	4,40	10,20	6,40	13,40	8,50	21,30	12,50
Ø 200	Article-no.	1320*3511	-	1320*3531	-	1320*3541	-	1320*3561	-	1320*3591	-
	Ø d	199	-	199	-	199	-	199	-	199	-
	R	1000	-	1000	-	1000	-	1000	-	1000	-
	S	3	-	3	-	3	-	3	-	3	-
	Weight in kg	4,50	-	8,50	-	12,50	-	16,50	-	27,30	-
Ø 250	Article-no.	1325*3511	-	1325*3531	-	1325*3541	-	1325*3561	-	1325*3591	-
	Ø d	249	-	249	-	249	-	249	-	249	-
	R	1000	-	1000	-	1000	-	1000	-	1000	-
	S	3	-	3	-	3	-	3	-	3	-
	Weight in kg	5,60	-	10,60	-	15,60	-	20,60	-	34,10	-
Ø 300	Article-no.	1330*3511	-	1330*3531	-	1330*3541	-	1330*3561	-	1330*3591	-
	Ø d	299	-	299	-	299	-	299	-	299	-
	R	1200	-	1200	-	1200	-	1200	-	1200	-
	S	3	-	3	-	3	-	3	-	3	-
	Weight in kg	7,90	-	15,10	-	22,30	-	29,50	-	48,10	-

Denomination:

Bends long radius

Date: 03/20

Datasheet-no. 4/4

Rev. 0